

1519 Airport Rd.
Jennings, LA 70546

Office: 337-616-9755

Fax: 337-821-0087

www.oqmeasurement.com

2121 Brittonmoore Rd., Suite 1000
Houston, TX 77043

Office: 713-896-8266

Fax: 713-896-8225

Probe Specifications

OQ-2-150-F

OQ-2-150-G



Power Supply

12 VDC @ 130 ma for 0-5 VDC output
24 VDC required for 4-20 MA output

S&W Range

0-5%, 0-10% and 0-20%

Measurement Accuracy

±1.0% of full scale

Resolution/Sensitivity

±0.5% of full scale

Probe Material

A53 GRB Carbon Steel is standard.
Stainless Steel available.

Probe Finish

Baked-on phenolic two-part epoxy.

Process Connections

ANSI RF 150#, 300#, 600# (others by special order)
Grooved 2", 3", 4", 6" (others by special order)

Pressure Ratings

As per Flange selection, 1440 psig max
(Vitaalic grooved - 350 psig)

Temperature Range

0°F to 180°F standard
-20°F to 375°F standard

Probe Sizes/Length

2" I.D. is 17" face-to-face.
3" to 12" I.D. sizes to 32"

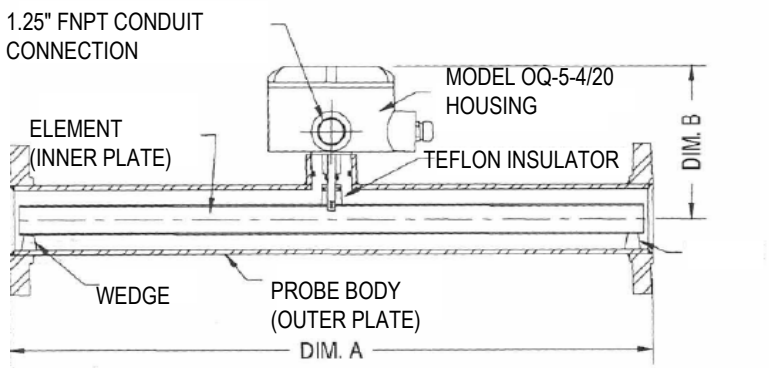
Probe Ordering Information by Part Number:

OQ-Pipe Size-PSI rating-Flanged or Grooved

EX: OQ-2-150-F (Flanged)

EX: OQ-2-150-G (Grooved)

Dimensions - OQ BSW Probe Specifications



Size	Dim. A	Dim. B
2 Inch	17.0" (431)	9.8" (247)
3 Inch	32.0" (811)	10.9" (275)
4 Inch	32.0" (811)	11.9" (301)
6 Inch	32.0" (811)	14.0" (355)
8 Inch	32.0" (811)	16.0" (405)
10 Inch	32.0" (811)	18.1" (459)
12 Inch +	Consult OQ Measurements	

0°F to 180°F dimension given. For -20°F to 375°F dimension add 6.4".

NOTE: Dimensions-Inches to the nearest tenth (millimeters to the nearest whole mm), each independently dimensioned from respective engineering drawing.