



1519 Airport Rd.
Jennings, LA 70546

Office: 337-616-9755

Fax: 337-821-0087

www.oqmeasurement.com

2121 Brittmoore Rd., Suite 1000
Houston, TX 77043

Office: 713-896-8266

Fax: 713-896-8225

OQ Strainer Specifications

OQ-STR-2-150-F

OQ-STR-2-150-G

Standard Strainer Features

- Stainless Steel Basket (In 10, 20 or 40 mesh)
- Basket Seat
- Blind Flange-Type Cover
- 1" Rain Tap
- 3/4" Differential Pressure Tap
- 1" Cap/Vent Tap

Process Connections

- ANSI RF 150#, 300#, 600# (others by special order)
- Grooved 2", 3", 4", 6" (others by special order)

Pressure Ratings

As per Flange selection, 1440 psig max

Optional Features

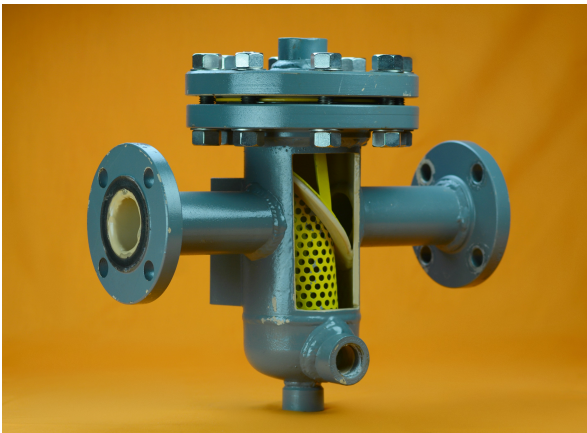
- Air Release Kit for Air Elimination
- Pressure Gauge Kit

Strainer Material

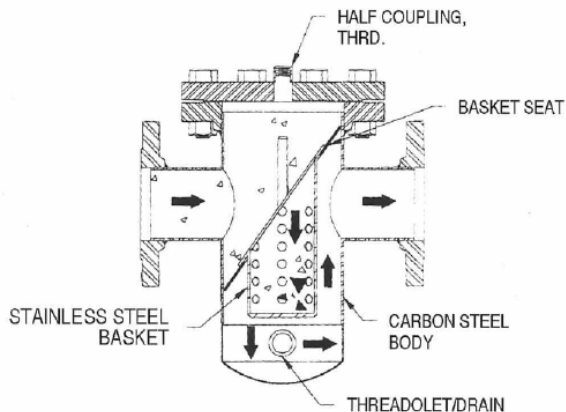
A53 GRB Carbon Steel is standard.
Stainless Steel available.

Strainer Finish

Baked-on phenolic two-part epoxy.



Dimensions - OQ Strainer Specifications



Description	Size	F.O.F. Dim.
Inlet/Outlet	2 Inch	16" (391)
Inlet/Outlet	3 Inch	16" (391)
Inlet/Outlet	4 Inch	16" (391)
Inlet/Outlet	6 Inch	21" (391)
Inlet/Outlet	8 Inch +	Consult OQ Measurement
Drain	1 Inch	N/A
DP Tap	3/4 Inch	N/A
Cap Tap	1 Inch	N/A

0°F to 180°F dimension given. For -20°F to 375°F dimension add 6.4"

NOTE: Dimensions-Millimeters to the nearest whole mm. Each independently dimensioned from respective engineering drawing.